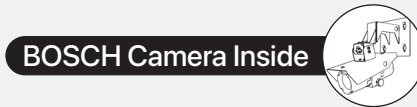


Spectrum F112-NBN80052BA-BD

Explosion-Proof Fixed Camera

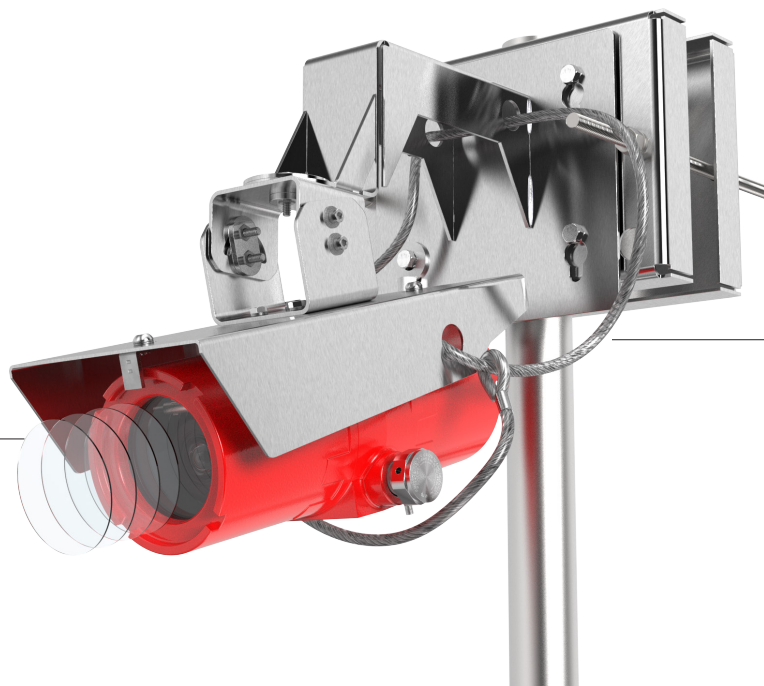
Key Features

- Remarkable low-light performance
- 5MP (3K) high detail at fast speeds (30fps)
- Built-in intelligent Video Analytics
- Low network strain and storage costs
- Outstanding wide dynamic range
- Front Glass Protective Film (F1XX-TO) included
- Reliable Securing Kit included
- Made in USA
- NDAA-Compliant
- cFMus, Class I/II/III, Division 1, Zone 1/21, IECEx, ATEX, INMETRO and UKCA approved
- Operating Temperature:
 - Zone System: -50°C to +50°C
 - (USA) Class/Division System: -40°C to +50°C



Description

Spectrum F112-NBN80052BA-BD explosion-proof network camera delivers clear images 24/7 - even at night or under low-light conditions. Enclosed in a red aluminum explosion-proof housing, it's certified (cFMus, ATEX, IECEx, UKCA approved and INMETRO) for use in potentially combustible environments. Furthermore, the camera produces multi-megapixel full-color video in near darkness, and delivers detailed monochrome images where other cameras show no image at all.



F1XX-TO
Front Glass Protective Film
4-Layer peel off design


SF-RSK
Reliable Securing Kit

Specifications

Spectrum F112-NBN80052BA-BD


| | | | |
|--|--|--|--|
| Sensor (1080p version) | | Lens Connector | 4 Pin DC Control |
| Sensor Type | 1/1.8" CMOS | Dimensions | 62.9mm x 66.6 |
| Effective Pixels | 6.1 MP | Zoom Control | Manual |
| Sensor | Bosch NBN-80052-BA | Focus Control | Manual |
| Video Performance - Dynamic Range | | Technical Specs of Camera with regard to lens | |
| 5.5MP (4:3) mode | 97 dB WDR (97+16 dB with IAE) | Sensor Size | 1/1.8" |
| 5MP (16:9) mode | 97 dB WDR (97+16 dB with IAE) | Resolution | 5 MP |
| 1080p mode | 103 dB WDR (103+16 dB with IAE) | Lens Mount | CS (can use C with adapter ring) |
| Video performance - Sensitivity | | Lens Connector | Standard 4 pin DC iris connector |
| Color 5MP mode | 0.0121 lx | Lens Types | DC iris and P-iris* control |
| Color 1080p mode | 0.00825 lx | General | |
| Mono 5MP mode | 0.004 lx | Casing | Aluminum |
| Mono 1080p mode | 0.00275 | Weight | 6.4 kg (14 lb) |
| Video Streaming | | Dimensions | 13.85 x 7.20 x 6.01 in (352 x 183 x 153 mm) |
| Video compression | H.264 (MP); M-JPEG | Power | 57 VDC, 9W; 12-24 VAC/VDC 25W |
| Streaming | Multiple configurable streams in H.264 and M-JPEG, configurable frame rate and bandwidth. Regions of interest (ROI) | Storage Conditions | -30°C to +70°C Humidity 5-98% RH (non-condensing) |
| Overall IP Delay | Min. 120 ms, Max. 340 ms | Operating Conditions | Zone system: -50°C to +50°C (USA) Class/Division system: -40°C to +50°C Humidity 10-100% RH (condensing) |
| GOP Structure | IP, IBP, IBBP | Warranty | 5-year limited warranty, see spectrumcamera.com/warranty |
| Encoding interval | 1 to 30 [25 fps] | Approvals | Hazardous Area FM3600, FM3615, ANSI/ISA/EN/IEC/CAN/ CSA-C22.2 60079-0, ANSI/UL/EN/IEC/CAN/ CSA-C22.2 60079-1, ANSI/UL/IEC/CAN/ CSA-C22.2 60079-31 EMC EN 55032 Class A, EN 50121-4, IEC 62236-4, EN 55024, EN 61000-6-1, EN 61000-6-2, FCC Part 15 Subpart B Class A, ICES-003 Class A, VCCI Class A, RCM AS/NZS CISPR 32 Class A, KC KN32 Class A, KC KN35 Safety IEC/EN/UL 60950-22, IEC/EN/UL 62368-1, IS 13252 Environment IEC 60068-2-1, IEC 60068-2-2, IEC 60068- 2-6, IEC 60068-2-14, IEC 60068-2-27, IEC 60068-2-78, IEC/EN 60529 IP66/IP67, IEC/EN 62262 IK10, NEMA 250 Type 4X, NEMA TS 2 (2.2.7-2.2.9) Network NIST SP500-267 |
| Encoder regions | Up to 8 areas with encoder quality settings per area | Explosion-proof Certifications | USA: Class I Division 1 Groups BCD T6 Ta= -40°C to +50°C, Type 4X, IP66 Class II/III Division 1 Groups EFG Ta= -40°C to +50°C, Type 4X, IP66 Certificate: FM18US0262X Canada: Class I Division 1 Groups BCD T6 Ta= -50°C to +50°C, Type 4X, IP66 Class II/III Division 1 Groups EFG Ta= -50°C to +50°C, Type 4X, IP66 Class I, Zone 1, AEx/Ex db IIB+H2 T5 Gb Ta = -50°C to +50°C, Type 4X, IP66 Zone 21, AEx/Ex tb IIIC T85°C Db Ta = -50°C to +50°C, Type 4X, IP66 Certificate: FM18CA0126X ATEX: II 2 G Ex db IIB+H2 T5 Gb Ta = -50°C to +50°C, IP66 II 2 D Ex tb IIIC T85°C Db Ta = -50°C to +50°C, IP66 Certificate: FM18ATEX0073X IECEx: Ex db IIB+H2 T5 Gb Ta = -50°C to +50°C, IP66 Ex tb IIIC T85°C Db Ta = -50°C to +50°C, IP66 Certificate: IECEx FMG 18.0029X |
| Video Resolution | | | |
| 5MP (16:9) | 2992 x 1680 | | |
| Video Content Analysis | | | |
| Analysis type | Intelligent Video Analytics | | |
| Configurations | Silent VCA / Profile 1 / Profile 2 / Event Triggered / Scheduled | | |
| Alarm rules (combinable) | Any object Object in field Crossing line Entering field Leaving field Loitering Following route Idle object Removed object Counter Occupancy Crowd detection Condition change Similarity search Tampering | | |
| Object filters | Duration Size Aspect ratio v/h Speed Direction Color Object classes (Upright persons, Bikes, Cars, Trucks) | | |
| Optical | | | |
| Lens Mount | CS mount (C-mount with adapter ring) | | |
| Lens connector | Standard 4-pin DC-iris connector / P-iris connector | | |
| Focus control | Motorize back-focus adjustment | | |
| Lens Option: LV-5005C-C4109 | | | |
| Sensir Size | 1/1.8 inch | | |
| Resolution | 5 MP | | |
| Iris Range | F1.6 - F8 | | |
| Focal Length | 4.1 - 9mm | | |
| Lens Mount | CS | | |

Approvals & Dimensions



SPECIALIZING IN EXPLOSION PROOF TECHNOLOGY
8935 ALMEDA GENOA RD. HOUSTON, TEXAS 77075 USA

SERIAL: _____




MADE IN USA

CERT NO. FM18US0262X & FM18CA0126X

MODEL: F1XX-(CCCC)-BD

INPUT: 57VDC, X.X W;

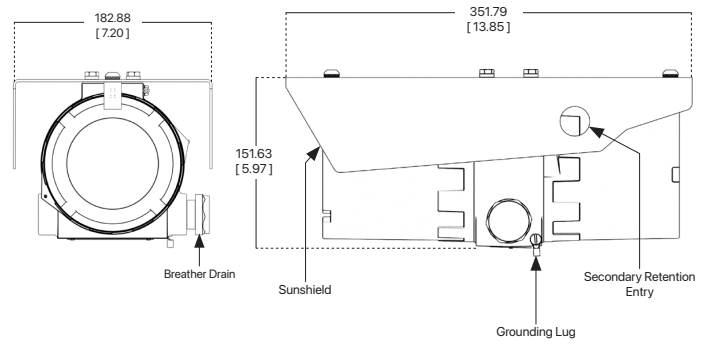
HEATER: 12-24VDC/VAC, XX W




US: Class I Division 1 Groups BCD T6 Ta= -40°C to +60°C, Type 4X, IP66
 Class II/III Division 1 Groups EFG T6 Ta= -40°C to +60°C, Type 4X, IP66
 Canada: Class I Division 1 Groups BCD T6 Ta= -50°C to +60°C, Type 4X, IP66
 Class II/III Division 1 Groups EFG T6 Ta= -50°C to +60°C, Type 4X, IP66
 Zone 1, Zone 1, AEx/Ex db IIB+H2 SEE TABLE FOR CODE Gb Ta = -50°C to +60°C, Type 4X, IP66
 Zone 21, AEx/Ex tb IIIC T85°C Db Ta = -50°C to +60°C, Type 4X, IP66
 II 2 G Ex db IIB+H2 SEE TABLE FOR CODE Gb Ta = -50°C to +60°C, IP66
 II 2 D Ex tb IIIC T85°C Db Ta = -50°C to +60°C, IP66
 CERT NO. FM18ATEX0073X, IECEx FMG 18.0029X, & FM22UKEX0016X

| CODE | CONFIGURATION |
|------|----------------------|
| TS | WITH BREATHEDRAIN |
| TG | WITHOUT BREATHEDRAIN |

WARNING: DO NOT OPEN WHEN ENERGIZED OR WHEN AN EXPLOSIVE ATMOSPHERE MAY BE PRESENT. Install seal within 18 inches. For Zones, install seal at entry. WARNING - POTENTIAL ELECTROSTATIC CHARGING HAZARD - SEE INSTRUCTION. USE 80°C OR HIGHER RATED CONDUCTORS.
 AVERTISSEMENT: NE PAS OUVRIRE LORSQU'ENNERGISE OU QUAND UNE ATMOSPHERE EXPLOSIVE PEUT ETRE PRESENTE. Les joints de Remplacement sont obligatoires dans une distance de 18 pouces. Pour les zones, installez un scellés à l'entrée. AVERTISSEMENT - RISQUE DE CHARGE ELECTROSTATIQUE POTENTIEL - VOIR LES INSTRUCTIONS. UTILISEZ DES CONDUCTEURS COTES DE 80 °C OUI PLUS.





SPECIALIZING IN EXPLOSION PROOF TECHNOLOGY
8935 ALMEDA GENOA RD. HOUSTON, TEXAS 77075 USA

No. DE SÉRIE: _____


FABRICADO NO EUA

CERT NO. NCC 20.0084 X


MODELO: F112-NBN80052BA-BD

ALIMENTAÇÃO: 57 VDC, 9W;

12-24 VAC/VDC, 25W



Segurança



NCC 20.0084 X

Ex db IIB+H2 T5 Gb Ta = -50°C to +50°C, IP66
 Ex tb IIIC T85°C Db Ta = -50°C to +50°C, IP66

ATENÇÃO: NÃO ABRA ENQUANTO ENERGIZADO OU QUANDO ATMOSFERA EXPLOSIVA PUDE ESTAR PRESENTES. INSTALAR O ANEL DE VEDAÇÃO DA ENTRADA. ATENÇÃO - RISCO POTENCIAL DE CARGAS ELETROSTÁTICAS - VER INSTRUÇÕES. USAR CONDUCTORES ADEQUADOS PARA TEMPERATURAS ATÉ 80°C. ATENÇÃO - NÃO ABRIR QUANDO ENERGIZADO. ATENÇÃO - RISCO POTENCIAL DE CARGA ELETROSTÁTICA - VER INSTRUÇÕES