

# Spectrum EZB-IR-07

Explosion Proof Bullet IR Illuminator

**EXPLOSION**  
PROOF CAMERA

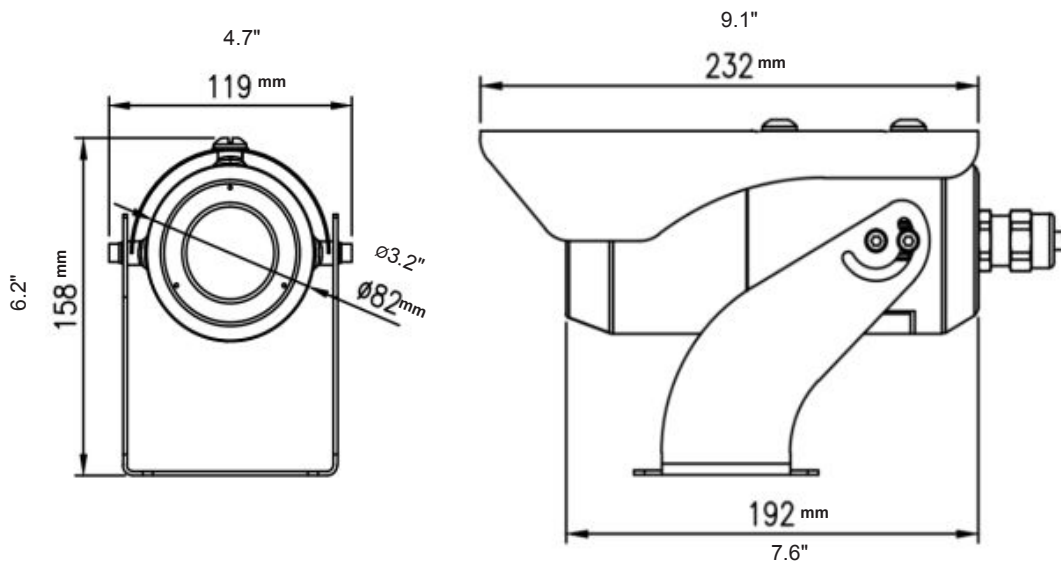
## Key Features

- IR Night Distance up to 50m.
- IP67, IK10
- 316L SS Construction
- ATEX & IECEx Certified



## Description

Spectrum EZB-IR-07 Explosion-Proof Bullet Infra-Red Illuminator is enclosed in a 316L Stainless Steel Explosion-Proof housing. It is certified ATEX & IECEx approved for use in potentially combustible environments. Lightweight in design, this camera was designed for single-installer installation.



# Specifications

## Spectrum EZB-IR-07

### General

Casing	Stainless Steel (SUS316L)
Weight	7.72 lbs (3.5 kg)
Power Source	12VDC
Power Consumption	0.5A 6W Max.
Operating Temperature	-40°C to 60°C (-40°F to 140°F) Humidity 0-90% RH
IP Rating	IP67, IK10
Warranty	5-year warranty - with online registration
Approvals	ATEX & IECEx
Explosion-Proof Certifications	II 2 G Ex db IIC T6 Gb II 2 D Ex tb IIIC T80°C Db
Dimensions	4.7(W) x 6.2(H) x 9.1(D) inches 119(W) x 158(H) x 232(D) mm

### Network

Interface D/N Out (TTL 5V)

## Approvals



MANUFACTURER: Spectrum Camera Solutions, LLC 8935 ALMEDA GENOA RD. HOUSTON, TEXAS 77075 USA  
SPECIALIZING IN EXPLOSION PROOF TECHNOLOGY

MODEL: FEZB-IR-07  
INPUT: 12VDC/ 0.5 A(6W)

SERIAL: XXXXXXXXXXXX  
YEAR:20XX



II 2 G Ex db IIC T6 Gb, Ta=-40°C ≤ Ta ≤ +60 ° C, IP67  
II 2 D Ex tb IIIC T80°C Db Ta=-40°C ≤ Ta ≤ +60 ° C, IP67



IECEx KTL 24.0019X



WARNING:DO NOT OPEN WHEN ENERGIZED OR WHEN AN EXPLOSIVE ATMOSPHERE MAY BE PRESENT  
ENTRY SIZE: NPT 1/2"-14 OR M20xP1.5

[www.spectrumcamera.com](http://www.spectrumcamera.com)