

Spectrum D202-X-SPDE8xX30PD0-BD

Explosion-Proof 2MP & 4MP PTZ Dome Camera

Key Features

- 2MP & 4MP Image Resolution
- 30x Zoom
- Built-in analytics
- Reliable Securing Kit included
- Made in USA
- NDAA-Compliant
- cFMus, Class I/II/III, Division 1, Zone 1/21, IECEx, ATEX, INMETRO and UKCA approved.
- Operating Temperature: -20°C to +55°C



Pelco Camera Inside

PELCO



Description

Spectrum D202-X-SPDE8xX30PD0-BD explosion-proof PTZ camera provides wide area coverage, high speed tracking and long range detail, empowering security operators with 360° views to monitor large areas with ease, including greater zooming capabilities for evidentiary detail. This powerful camera delivers high-quality, detailed images with up to 30x zoom, which is ideal for critical infrastructure and safety. Enclosed in a patented in a stainless steel or red aluminum explosion-proof housing, it's certified (cFMus, IECEx, ATEX, INMETRO and UKCA approved) for use in potentially combustible environments.

Part Number	MP	WDR	Low-light Technology	Lens	Analytics	Pelco Technology
D202-X-SPDE82X30PD0-BD	2MP	Included	Included	6.5 mm to 162.5 mm	Included	SPDE8-2X30-PD0
D202-X-SPDE84X30PD0-BD	4MP	Included	Included	6.5 mm to 162.5 mm	Included	SPDE8-4X30-PD0

Specifications

Spectrum D202-X-SPDE8xX30PD0-BD

Image Performance

Image Sensor	1/2.8" progressive scan CMOS
Active Pixels	2MP - 1920 (H) x 1080 (V) 4MP - 2560 (H) x 1440 (V)
Dynamic Range	80 dB
Image Rate	50 Hz/ 60 Hz (25fps / 30 fps)
Minimum Illumination	0.1 lux in color / 0.16 lux in mono mode

Lens

Lens	6.5mm to 162.5mm, F/1.6 - F/4.8
Lens Control	Remote Zoom and Focus, Autofocus, Auto Iris
Angle of view	Wide: 58.1° (H) - 34.8° (V) Tele: 2.3° (H) x 1.4° (V)
Zoom	30x enhanced optical

Image Control

Video Compression	H.264, H.265, JPEG, Pelco Smart Compression
Streaming Resolutions (H) x (V)	2MP - Primary: 1920 x 1080 4MP - Primary: 2560 x 1440 Secondary: 1920 x 1080 (4MP only); 1280 x 720; 768 x 432; 640 x 360; 512 x 288 Tertiary: 1920 x 1080 (4MP only); 1280 x 720; 768 x 432; 640 x 360; 512 x 288; 384 x 216 Quaternary: 640 x 360; 512 x 288
Electronic Shutter Control	Automatic, Manual (1/1 to 1/10,000 sec)
Iris Control	Automatic, Manual
Day/Night Control	Automatic, Manual
Flicker Control	ON/OFF (Automatically Adjusts for 50/60 Hz)
White Balance	Automatic, Manual

Explosion-proof Certifications

USA (Divisions):
Class I Division 1 Groups B,C,D T6, type 4X, IP66/67
Class II/III, Division 1, Groups E,F,G T6
Ta = -20°C to +55°C
Certificate: FM17US0156X

USA and Canada (Zones):
Class I, Zone 1, AEx/Ex db IIB+H2 T6 Gb Ta
-20°C to +55°C, Type 4X, IP66/67
Zone 21, AEx/Ex tb IIIC T85 °C Db Ta = -20°C to +55°C, Type 4X, IP66/67
Certificate: FM17US0156X and FM18CA0103X

ATEX:
II 2 G Ex db IIB+H2 T6 Gb Ta = -20°C to +55°C, IP66/67
II 2 D Ex tb IIIC T85 °C Db Ta = -20°C to +55°C, IP66/67
Certificate: FM18ATEX0057X

IECEX:
Ex db IIB+H2 T6 Gb Ta = -20°C to +55°C, IP66/67
Ex tb IIIC T85 °C Db Ta = -20°C to +55°C, IP66/67
Certificate: FMG 18.0020X

INMETRO:
Ex db IIB+H2 T6 Gb Ta = -20°C to +55°C, IP66/67
Ex tb IIIC Db T85 °C Ta = -20°C to +55°C, IP66/67
Certificate number: NCC 20.0083 X

Network

Network	100BASE-TX, 1000BASE-T with Auto MDI/MDI-X
Cabling Type	CAT5e minimum
Connector	RJ-45
ONVIF	ONVIF. Profile S, Profile T, Profile G, Profile M
Security	Password protection, HTTPS encryption
Protocol	IPv6, IPv4, HTTP, HTTPS, SOAP, DNS, NTP, RTSP, RTCP, RTP, TCP, UDP, IGMP, ICMP, DHCP, Zeroconf, HSTS, NTCIP
Streaming Protocols	RTP/UDP, RTP/UDP multicast, RTP/RTSP/TCP, RTP/RTSP/HTTP/TCP, RTP/RTSP/HTTPS/TCP, HTTP, SRTP
Secure Boot	Yes

Supported Analytical Events

Objects in Area	The event is triggered when the selected object type moves into the region of interest.
Object Loitering	The event is triggered when the selected object type moves into the region of interest and then stays for an extended amount of time.
Object Crossing Beam	The event is triggered when the specified number of objects have crossed the directional beam that is configured over the camera's field of view. The beam can be unidirectional or bidirectional.
Object Appears or Enters Area	The event is triggered by each object that enters the region of interest. This event can be used to count objects.

General

Casing (x)	A = Aluminum S = Stainless Steel
Weight	A = 32 lbs (14 kg) S = 68 lbs (31 kg)
Dimensions	Height: 15.9 in (404 mm) ø 8.6 in (218 mm)
Power	IEEE 802.3at Type 2, Class 4 compliant* - 70 W IEEE 802.3bt Type 3, Class 6 compliant* - 70 W IEEE 802.3bt Type 4, Class 8 compliant* - 70 W * - Using anything less than a Type 4, Class 8 PSE will result in reduced environmental and pan/tilt speed specs.
Storage Conditions	-10 °C to +70 °C (14 °F to 158 °F) Humidity 0-95%, non-condensing
Operating Conditions	-20°C to +55°C
Warranty	5-year limited warranty, see spectrumcamera.com/warranty for more information

Approvals	Hazardous Area FM3600, FM3615, ANSI/ISA/EN/IEC/CAN/CSA-C22.2 60079-0, ANSI/UL/EN/IEC/CAN/CSA-C22.2 60079-1, ANSI/UL/IEC/CAN/CSA-C22.2 60079-31 EMC EN 55032 Class A, EN 50121-4, IEC 62236-4, EN 55024, EN 61000-6-1, EN 61000-6-2, FCC Part 15 Subpart B Class A, ICES-003 Class A, VCCI Class A, RCM AS/NZS CISPR 32 Class A, KC KN32 Class A, KC KN35 Safety IEC/EN/UL 60950-22, IEC/EN/UL 62368-1, IS 13252 Environment IEC 60068-2-1, IEC 60068-2-2, IEC 60068-2-6, IEC 60068-2-14, IEC 60068-2-27, IEC 60068-2-78, IEC/EN 60529 IP66/IP67, IEC/EN 62262 IK10, NEMA 250 Type 4X, NEMA TS 2 (2.2.7-2.2.9) Network NIST SP500-267
-----------	--

Approvals & Dimensions



8935 ALMEDA GENOA RD.
HOUSTON, TEXAS 77075
USA

CERT NO. FM17US0156X

SPECIALIZING IN EXPLOSION PROOF TECHNOLOGY

INPUT: IEEE 802.3bt Type 3, Class 6, 60W PoE

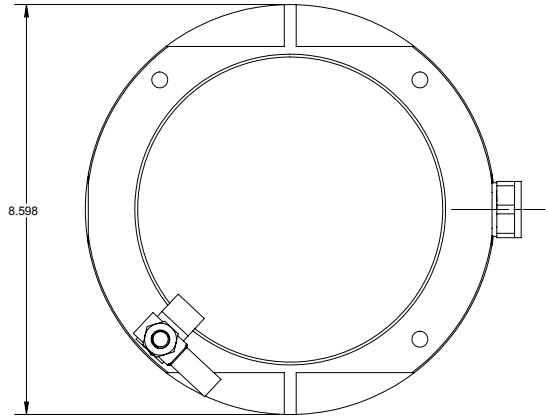
MODEL NUMBER: D202-X-SPDE8xX30PD0-BD SERIAL:

Class I Division 1 Groups B,C,D T6, Type 4X, IP66

Class II/III, Division 1, Groups E,F,G T6

- WARNINGS: Ta = -20°C to +55°C
- NOT INCLUDING KETONE OR ESTER ATMOSPHERES
- CONDUIT ENTRIES ARE M20 X 1.5
- DO NOT OPEN WHEN AN EXPLOSIVE ATMOSPHERE MAY BE PRESENT
- INSTALL SEAL AT ENCLOSURE ENTRY

US Patent 9917428
US Patent D858611



MADE IN USA
CERT NO.
FM17US0156X
FM18CA0103X



8935 ALMEDA GENOA RD. HOUSTON, TEXAS 77075 USA

MODEL: D202-X-SPDE8xX30PD0-BD

SERIAL:

INPUT: IEEE 802.3bt Type 3, Class 6, 60W PoE

Class I, Zone 1, AEx/Ex db IIB+H2 T6 Gb Ta = -20°C to +55°C, Type 4X, IP66

Zone 21, AEx/Ex tb IIIC T85°C Db Ta = -20°C to +55°C, Type 4X, IP66

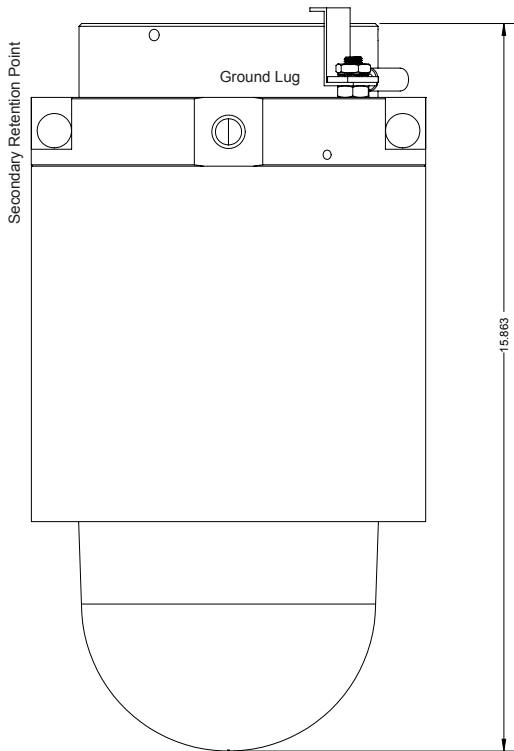
- Ex II 2 G Ex db IIB+H2 T6 Gb Ta = -20°C to +55°C, IP66
- Ex II 2 D Ex tb IIIC T85°C Db Ta = -20°C to +55°C, IP66

CERT NO. FM18ATEX0057X, IECEx FMG 18.0020X, FM22UKEX0028X

WARNING: DO NOT OPEN WHEN ENERGIZED OR WHEN AN EXPLOSIVE ATMOSPHERE MAY BE PRESENT
INSTALL SEAL AT ENCLOSURE ENTRY

www.spectrumcamera.com

US Patent 9917428
US Patent D858611



SPECIALIZING IN EXPLOSION PROOF TECHNOLOGY
8935 ALMEDA GENOA RD. HOUSTON, TEXAS 77075 USA
No. SERIE: TIME-DY-MN-YEAR

FABRICADO NO EUA

CERT NO. NCC 20.0083 X

MODELO: D202-X-SPDE8xX30PD0-BD

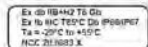
ALIMENTAÇÃO: IEEE 802.3bt Type 3,
Class 6, 60W PoE



NCC 20.0083 X

Ex db IIB+H2 T6 Gb Ta = -20°C to +55, IP66

Ex tb IIIC T85°C Db Ta = -20°C to +55°C, IP66



ATENÇÃO:

- ENTRADAS DE CABOS M20 X 1.5
- NÃO ABRA ENQUANTO UMA ATMOSFERA EXPLOSIVA PUDE ESTAR PRESENTE
- INSTALAR ANEL DE VEDAÇÃO NAS ENTRADAS
- NÃO ABRIR QUANDO ENERGIZADO
- RISCO POTENCIAL DE CARGA ELETROSTÁTICA - VER INSTRUÇÕES

-Patente EUA 9917428
-Patente EUA D858611