

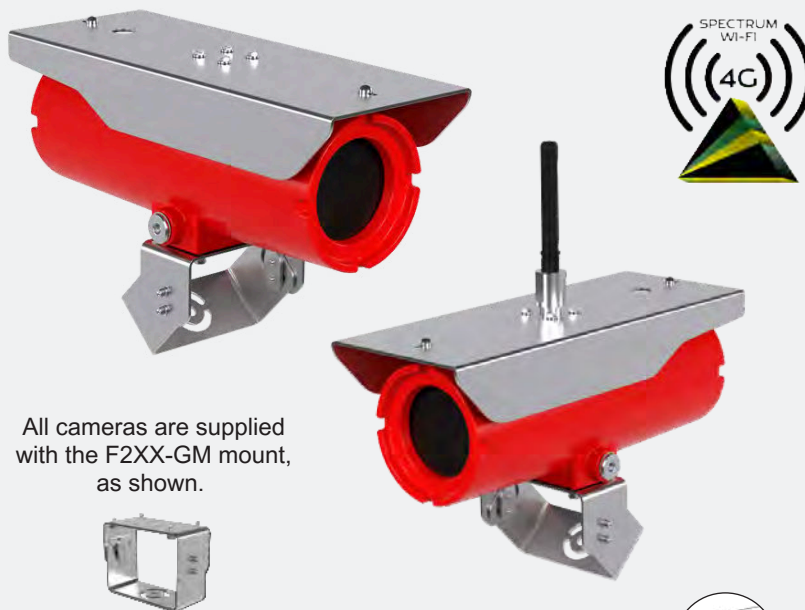
Spectrum F219-CBXXX-CC-DD-EE-FF

Explosion-Proof 5MP & 8MP (4K) Fixed Cameras

EXPLSION
PROOF CAMERA

Key Features

- Excellent Image Quality 5MP & 8MP (4K)
- POE and Redundant DC Power
- 4G Wireless option available
- SPF Media Converter option available
- Operating Temperature
 - See table on Page 2
- Front Glass Protective Film (F2XX-TO) included
- Reliable Securing Kit (SF-RSK) included
- Made in USA
- NDAA-Compliant
- cFmus, Class I/II/III, Division 1, Groups BCDEFG
- II 2 G Ex db IIB+H2 Gb
- II 2 D Ex tb IIIC Db, IECEx & ATEX approved
- 5 Year Warranty with Registration



All cameras are supplied with the F2XX-GM mount, as shown.



Part No.	Description	MP	F Number	Image Sensor
F219-CB52E-01-01	POE - IEEE 802.3bt - 90W	5.0	1.3 - 2.4	1 / 2.8
F219-CB52E-02-02	Media Converter (SFP) - 100 / 240 VAC - 50 / 60 Hz	5.0	1.3 - 2.4	1 / 2.8
F219-CB52E-02-03-02-RUT241	Wireless - Teltonika 4G - 100 / 240 VAC - 50 / 60 Hz	5.0	1.3 - 2.4	1 / 2.8
F219-CB52TE-01-01	POE - IEEE 802.3bt - 90W	5.0	1.5 - 2.8	1 / 2.8
F219-CB52TE-02-02	Media Converter (SFP) - 100 / 240 VAC - 50 / 60 Hz	5.0	1.5 - 2.8	1 / 2.8
F219-CB52TE-02-03-02-RUT241	Wireless - Teltonika 4G - 100 / 240 VAC - 50 / 60 Hz	5.0	1.5 - 2.8	1 / 2.8
F219-CB62E-01-01	POE - IEEE 802.3bt - 90W	8.0	1.3 - 2.4	1 / 2.8
F219-CB62E-02-02	Media Converter (SFP) - 100 / 240 VAC - 50 / 60 Hz	8.0	1.3 - 2.4	1 / 2.8
F219-CB62E-02-03-02-RUT241	Wireless - Teltonika 4G - 100 / 240 VAC - 50 / 60 Hz	8.0	1.3 - 2.4	1 / 2.8
F219-CB62TE-01-01	POE - IEEE 802.3bt - 90W	8.0	1.5 - 2.8	1 / 2.8
F219-CB62TE-02-02	Media Converter (SFP) - 100 / 240 VAC - 50 / 60 Hz	8.0	1.5 - 2.8	1 / 2.8
F219-CB62TE-02-03-02-RUT241	Wireless - Teltonika 4G - 100 / 240 VAC - 50 / 60 Hz	8.0	1.5 - 2.8	1 / 2.8

For other combinations and selection matrix data sheet please visit <https://spectrumcamera.com>

Specifications

General				
Casing	Aluminum			
Weight	27 - 29 lbs (12.2 - 13.2 kgs)			
Dimensions	19.25(L) x 7.41(H) x 6.64(W) in (498 x 188 x 163 mm)			
Power	See models shown on previous page, or on Selection Matrix Data Sheet			
Storage Conditions	-40°C to +60°C (-40°F to +140°F) Humidity 5-95% RH (non-condensing)			
Operating Conditions	Part No.	Certified Temperature °C (°F)	Part No.	Certified Temperature °C (°F)
	F219-CB52E-01-01	-50 to +50°C (-58 to +122°F)	F219-CB62E-01-01	-50 to +50°C (-58 to +122°F)
	F219-CB52E-02-02	-50 to +50°C (-58 to +122°F)	F219-CB62E-02-02	-50 to +50°C (-58 to +122°F)
	F219-CB52E-02-03-02-RUT241	-40 to +50°C (-40 to +122°F)	F219-CB62E-02-03-02-RUT241	-40 to +50°C (-40 to +122°F)
	F219-CB52TE-01-01	-50 to +50°C (-58 to +122°F)	F219-CB62TE-01-01	-50 to +50°C (-58 to +122°F)
	F219-CB52TE-02-02	-50 to +50°C (-58 to +122°F)	F219-CB62TE-02-02	-50 to +50°C (-58 to +122°F)
	F219-CB52TE-02-03-02-RUT241	-40 to +50°C (-40 to +122°F)	F219-CB62TE-02-03-02-RUT241	-40 to +50°C (-40 to +122°F)
Approvals	<p>Hazardous Area FM3600, FM3615, ANSI/ISA/EN/IEC/CAN/ CSA-C22.2 60079-0, ANSI/UL/EN/IEC/CAN/ CSA-C22.2 60079-1, ANSI/UL/IEC/CAN/ CSA-C22.2 60079-31</p> <p>EMC EN 60032 Class A, EN 50121-4, IEC 62236-4, EN 60024, EN 61000-6-1, EN 61000-6-2, FCC Part 15 Subpart B Class A, ICES-003 Class A, VCCI Class A, RCM AS/NZS CISPR 32 Class A, KC KN32 Class A, KC KN35</p> <p>Safety IEC/EN/UL 60950-22, IEC/EN/UL 62368-1, IS 13252</p> <p>Environment IEC 60068-2-1, IEC 60068-2-2, IEC 60068-2-6, IEC 60068-2-14, IEC 60068-2-27, IEC 60068-2-78, IEC/EN 60529 IP66/IP67, IEC/EN 62262 IK10, NEMA 250 Type 4X, NEMA TS 2 (2.2.7-2.2.9)</p> <p>Network NIST SP500-267</p>			
Explosion-proof certification	<p>USA: FM24US0209X</p> <p>Canada: FM24CA0056X</p> <p>ATEX: FM24ATEX0026X</p> <p>IECEX: IECEX_FMG_24.0028_000</p>			

Accessories for the F200



F2XX-GM
General Mount
(Supplied with camera)



F2XX-TO
Front Glass
Protective Film
(Supplied with camera)



SF-RSK
Reliable
Securing Kit
(Supplied with camera)



F2XX-WM
Fixed Wall
Mount



F2XX-PM
Fixed Pole
Mount

Approvals & Dimensions

Non-Wireless Versions

Wireless Versions

SPECTRUM CAMERA SOLUTIONS
 SPECIALIZING IN EXPLOSION PROOF TECHNOLOGY
 8935 ALMEDA GENOA RD. HOUSTON, TEXAS 77075 USA

FM APPROVED MADE IN USA
 MODEL: F219-CB52E-01-01
 POE INPUT: IEEE 802.3bc, 90 W
 VDC INPUT: N/A

CE 2809

SERIAL: _____

ENSTR: US/Canada: Class I Division 1 Groups BCD [SEE TABLE 1], Type 4X, IP66
 ENSTR: Class II/III Division 1 Groups EFG [SEE TABLE 2], Type 4X, IP66
 ENSTR: Class I, Zone 1, AEx/Ex db IIB+H2 Gb [SEE TABLE 1], Type 4X, IP66
 ENSTR: Zone 21, AEx/Ex tb IIC Db [SEE TABLE 3], Type 4X, IP66
 ENSTR: II 2 G Ex db IIB+H2 Gb [SEE TABLE 1], IP66
 ENSTR: II 2 D Ex tb IIC Db [SEE TABLE 3], IP66

CERT NO. FM24AUS0209X & FM24CA0008NIECE & FM24A0028X & FM24ATEX0020X

WARNING: DO NOT OPEN WHEN ENERGIZED OR WHEN AN EXPLOSION ATMOSPHERE MAY BE PRESENT. INHALE AND WEAR EYE PROTECTION.
WARNING: POTENTIAL ELECTROSTATIC CHARGES HAZARD - SEE INSTRUCTION NOTE FOR BATTERY REPLACEMENT DETAILS. SEE INSTRUCTION
AVERTISSEMENT: NE PAS OUVRIRE LORSQU'IL Y A DES CHARGES STATIQUES POTENTIELLES. VÉRIFIER LES INSTRUCTIONS. REMARQUE: POUR LES DÉTAILS SUR LE
 REMPLACEMENT DE LA BATTERIE, VOIR LES INSTRUCTIONS.

SPECTRUM CAMERA SOLUTIONS
 SPECIALIZING IN EXPLOSION PROOF TECHNOLOGY
 8935 ALMEDA GENOA RD. HOUSTON, TEXAS 77075 USA

FM APPROVED MADE IN USA
 MODEL: F219-CB52E-02-01-02-RUT241
 POE INPUT: N/A
 VAC INPUT: 100-240 VAC, 30W, 50/60Hz
 VDC INPUT: N/A

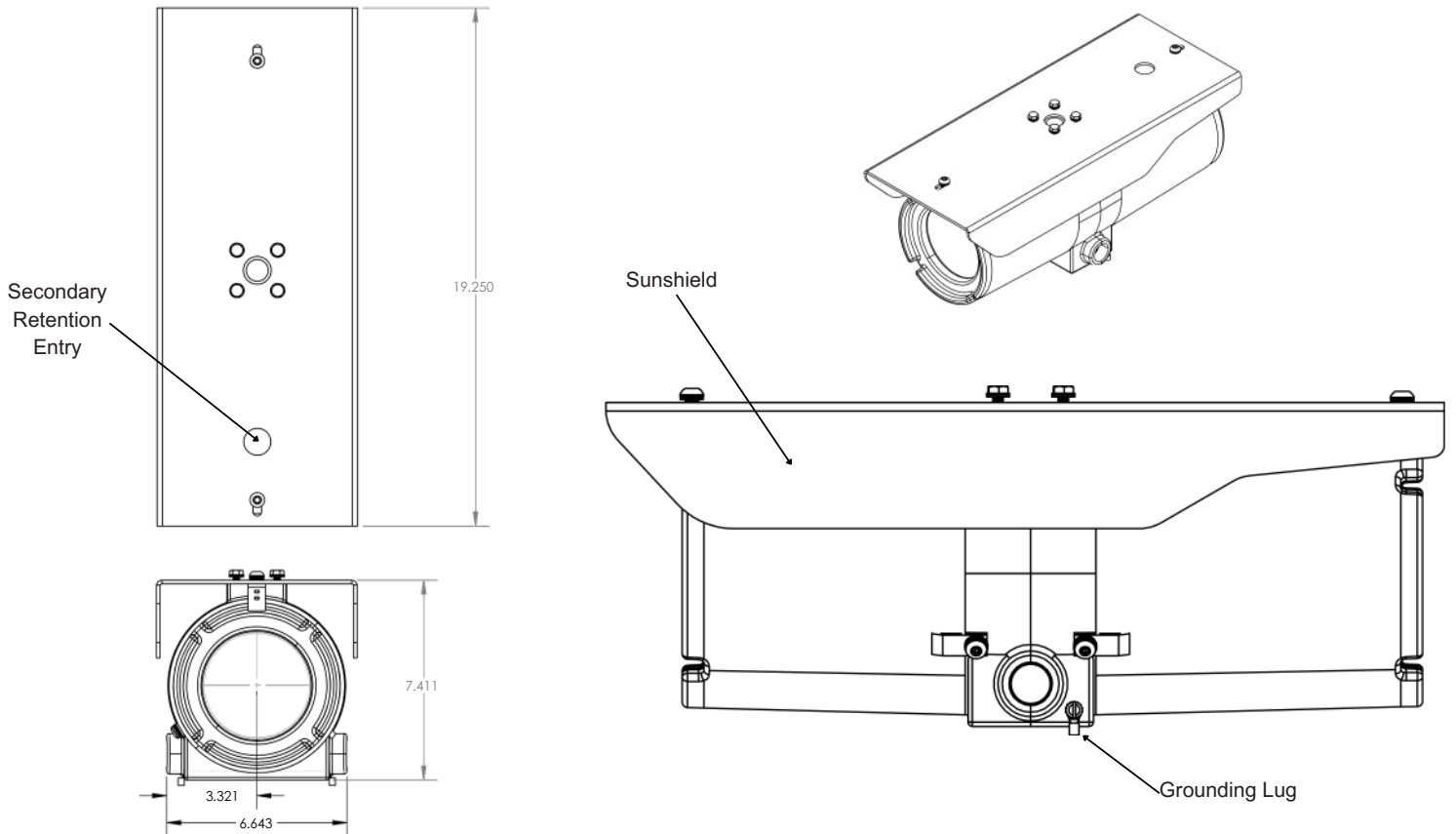
CE 2809

SERIAL: _____

ENSTR: US/Canada: Class I Division 1 Groups BCD [SEE TABLE 1], Type 4X, IP66
 ENSTR: Class II/III Division 1 Groups EFG [SEE TABLE 2], Type 4X, IP66
 ENSTR: Class I, Zone 1, AEx/Ex db mb [Ia Ga] IIB+H2 Gb [SEE TABLE 3], Type 4X, IP66
 ENSTR: Zone 21, AEx/Ex mb tb [Ia Da] IIC Dc [SEE TABLE 3], Type 4X, IP66
 ENSTR: II 2 (1) G Ex db mb [Ia Ga] IIB+H2 Gb [SEE TABLE 1], IP66
 ENSTR: II 2 (1) D Ex mb tb [Ia Da] IIC Dc [SEE TABLE 3], IP66

CERT NO. FM24AUS0209X & FM24CA0008NIECE & FM24A0028X & FM24ATEX0020X

WARNING: DO NOT OPEN WHEN ENERGIZED OR WHEN AN EXPLOSION ATMOSPHERE MAY BE PRESENT. INHALE AND WEAR EYE PROTECTION.
WARNING: POTENTIAL ELECTROSTATIC CHARGES HAZARD - SEE INSTRUCTION NOTE FOR BATTERY REPLACEMENT DETAILS. SEE INSTRUCTION
AVERTISSEMENT: NE PAS OUVRIRE LORSQU'IL Y A DES CHARGES STATIQUES POTENTIELLES. VÉRIFIER LES INSTRUCTIONS. REMARQUE: POUR LES DÉTAILS SUR LE
 REMPLACEMENT DE LA BATTERIE, VOIR LES INSTRUCTIONS.



Installation Cable & Gland Kits

Suitable for installation in Class I, II, III, Div 1, ABCDEFG IEC - Zone 1/21 IIC, IIIC environments.

The cable gland is supplied pre-installed onto one end of the 3-core cable.



- SCS-PWR-CBL-3C-D1-Z1-25 - (25 ft)
- SCS-PWR-CBL-3C-D1-Z1-50 - (50 ft)
- SCS-PWR-CBL-3C-D1-Z1-100 - (100 ft)
- SCS-PWR-CBL-3C-D1-Z1-200 - (200 ft)
- SCS-PWR-CBL-3C-D1-Z1-300 - (300 ft)

For additional sizes please contact us at sales@spectrumcamera.com

For use with the 120 / 240 VAC
 F200 models only