

# Spectrum

## F201-M1137-MKII-02-03-02-RUT241

Explosion-Proof 5MP Fixed Camera

**EXPLSION**  
PROOF CAMERA



### Key Features

- 5MP Image Quality
- Axis Lightfinder and Forensic WDR
- Electronic Image Stabilization
- Audio Input capability
- Front Glass Protective Film (F2XX-TO) included
- Reliable Security Kit (SF-RSK) included
- NDAA-Compliant
- cFMus, Class I/II/III, Division 1, Zone 1/21, IECEx and ATEX approved
- Operating Temperature:  
Zone System: -50°C to +50°C (-58°F to +122°F)  
(USA) Class/Division System: -40°C to +50°C (-40°F to +122°F)



All cameras are supplied with the F2XX-GM mount, as shown.



Axis Camera Inside

**AXIS**  
COMMUNICATIONS



## Description

Spectrum F201-M1137-MKII-02-03-02-RUT241 explosion-proof network camera delivers excellent 5MP resolution. Enclosed in a red aluminum explosion-proof housing, it's certified (cFMus, IECEx and ATEX) for use in potentially combustible environments. The camera features Axis Lightfinder and Forensic WDR, it delivers rich colors and sharp details in challenging light or dark areas. It also offers DC-Iris for images with better contrast, clarity, resolution and depth of field and audio input allowing video recording with sound. Furthermore, electronic image stabilization and enhanced security features are included.

# Specifications

## Spectrum F201-M1137-MKII-02-03-02-RUT241

Camera		Network	
Image sensor	1/2.7" progressive scan RGB CMOS	Supported protocols	IPv4, IPv6 USGv6, ICMPv4/ICMPv6, HTTP, HTTP/2, HTTPS, TLS, QoS Layer 3 DiffServ, FTP, SFTP, CIFS/SMB, SMTP, mDNS (Bonjour), UPnP®, SNMP v1/v2c/v3 (MIB-II), DNS/DNSv6, DDNS, NTP, NTS, RTSP, RTP, SRTP/RTSPS, TCP, UDP, IGMPv1/v2/v3, RTCP, ICMP, DHCPv4/v6, ARP, SSH, LLDP, CDP, MQTT v3.1.1, Secure syslog (RFC 3164/5424, UDP/TCP/TLS), Link-Local address (ZeroConf)
Lens	Varifocal, IR corrected, CS-mount, DC-Iris 2.8–13 mm, 5MP: Horizontal field of view: 112°–24° 5MP: Vertical field of view: 82°–19° Minimum focus distance: 0.8 m (2.6 ft)		
Day and night	Automatically removable infrared-cut filter		
Minimum illumination	HDTV 5MP 25/30 fps with Forensic WDR and Lightfinder: Color: 0.17 lux, at 50 IRE F1.4 B/W: 0.03 lux, at 50 IRE F1.4 Color: 0.12 lux, at 30 IRE, F1.4 B/W: 0.02 lux, at 30 IRE, F1.4		
Shutter speed	WDR: 1/33500 s to 1/5 s		
System on chip (SoC)		System integration	
Model	ARTPEC-7	Application programming interface	Open API for software integration, including VAPIX® and AXIS Camera Application Platform; specifications at axis.com One-click cloud connection ONVIF® Profile G, ONVIF® Profile M, ONVIF® Profile S, and ONVIF® Profile T
Memory	1024 MB RAM, 512 MB Flash		
Compute capabilities	Machine learning processing unit (MLPU)		
Video		Event conditions	Audio: audio detection Device status: IP address removed, network lost, new IP address, storage failure, system ready, (with i-CS: within operating temperature, above operating temperature, above or below operating temperature, below operating temperature) Edge storage: recording ongoing, storage disruption I/O: digital input, manual trigger, virtual input MQTT subscribe Scheduled and recurring: scheduled event Video: day/night mode, live stream open, tampering
Video compression	H.264 (MPEG-4 Part 10/AVC) Baseline, Main and High Profiles H.265 (MPEG-H Part 2/HEVC) Main Profile Motion JPEG		
Resolution	5MP: 2592x1944 to 160x120	Event actions	File upload via FTP, HTTP HTTPS, SFTP, network share and email MQTT publish Notification via email, HTTP, HTTPS, TCP Video recording to edge storage, pre- and post-alarm video buffering, PTZ preset, guard tour, send video clip, send SNMP trap, day/night vision mode, WDR mode, status LED indicator, output port
Frame rate	Up to 25/30 fps in all resolutions		
Video streaming	Multiple, individually configurable streams in H.264, H.265, and Motion JPEG Axis Zipstream technology in H.264 and H.265 Controllable frame rate and bandwidth VBR/ABR/MBR H.264/H.265 Low latency mode	Built-in installation aids	Pixel counter
Image settings	Axis Forensic WDR: Up to 120 dB depending on scene, manual shutter time, compression, color, brightness, sharpness, contrast, whiet balance, exposure control (including automatic gain control), exposure zones, fine tuning of behavior at low light, aspect ratio correction, text and image overlay, privacy mask, mirroring of images.	Analytics	
Pan/Tilt/Zoom	Digital PTZ	Axis Object Analytics	Object classes: humans, vehicles Scenarios: line crossing, object in area, occupancy in area Up to 10 scenarios Other features: triggered objects visualized with color-coded bounding boxes Polygon include/exclude areas Perspective configuration ONVIF Motion Alarm event
Audio		Applications	Included AXIS Object Analytics, AXIS Scene Metadata, AXIS Video Motion Detection, AXIS Live Privacy Shield, active tampering alarm Supported Support for AXIS Camera Application Platform enabling installation of third-party applications
Audio streaming	Audio in, simplex, two-way audio via edge-to-edge technology		
Audio encoding	24bit LPCM, AAC-LC 8/16/32/48 kHz, G.711 PCM 8kHz, G.726 ADPCM 8 kHz, Opus 8/16/48 kHz Configurable bit rate		
Audio input/output	External microphone input or line input, network speaker pairing		
		Cybersecurity	
		Network security	IEEE 802.1X (EAP-TLS, PEAP-MSCHAPv2), IEEE 802.1AE (MACsec PSK/EAP-TLS), IEEE 802.1AR, HTTPS/HSTS, TLS v1.2/v1.3, Network Time Security (NTS), X.509 Certificate PKI, host-based firewall

# Specifications (continued)

General		Explosion-proof Certifications	<b>USA:</b> Class I Division 1 Groups BCD T6 Ta= -40°C to +50°C, Type 4X, IP66 Class II/III Division 1 Groups EFG Ta= -40°C to +50°C, Type 4X, IP66 Certificate: FM18US0262X <b>Canada:</b> Class I Division 1 Groups BCD T6 Ta= -50°C to +50°C, Type 4X, IP66 Class II/III Division 1 Groups EFG Ta= -50°C to +50°C, Type 4X, IP66 Class I, Zone 1, AEx/Ex db IIB+H2 T5 Gb Ta = -50°C to +50°C, Type 4X, IP66 Zone 21, AEx/Ex tb IIIC T85°C Db Ta = -50°C to +50°C, Type 4X, IP66 Certificate: FM18CA0126X <b>ATEX:</b> II 2 G Ex db IIB+H2 T5 Gb Ta = -50°C to +50°C, IP66 II 2 D Ex tb IIIC T85°C Db Ta = -50°C to +50°C, IP66 Certificate: FM18ATEX0073X <b>IECEX:</b> Ex db IIB+H2 T5 Gb Ta = -50°C to +50°C, IP66 Ex tb IIIC T85°C Db Ta = -50°C to +50°C, IP66 Certificate: IECEX FMG 18.0029X
Casing	Aluminum		
Weight	27 - 29 lbs (12.2 - 13.2 kgs)		
Dimensions	19.25(L) x 7.41(H) x 6.64(W) in (498 x 188 x 163 mm)		
Power	90-240 vac 50/60hz		
Storage Conditions	-40°C to 65°C (-40°F to 149°F) Humidity 5-95% RH (non-condensing)		
Operating Conditions	Zone system: -50°C to +50°C (-58°F to +122°F) (USA) Class/Division system: -40°C to +50°C (-40°F to +122°F) Humidity 10-100% RH (condensing)		
Warranty	5-year limited warranty, see <a href="http://spectrumcamera.com/warranty">spectrumcamera.com/warranty</a>		
Approvals	<b>Hazardous Area</b> FM3600, FM3615, ANSI/ISA/EN/IEC/CAN/CSA-C22.2 60079-0, ANSI/UL/EN/IEC/CAN/CSA-C22.2 60079-1, ANSI/UL/IEC/CAN/CSA-C22.2 60079-31 <b>EMC</b> EN 60032 Class A, EN 50121-4, IEC 62236-4, EN 60024, EN 61000-6-1, EN 61000-6-2, FCC Part 15 Subpart B Class A, ICES-003 Class A, VCCI Class A, RCM AS/NZS CISPR 32 Class A, KC KN32 Class A, KC KN35 <b>Safety</b> IEC/EN/UL 60950-22, IEC/EN/UL 62368-1, IS 13252 <b>Environment</b> IEC 60068-2-1, IEC 60068-2-2, IEC 60068-2-6, IEC 60068-2-14, IEC 60068-2-27, IEC 60068-2-78, IEC/EN 60529 IP66/IP67, IEC/EN 62262 IK10, NEMA 250 Type 4X, NEMA TS 2 (2.2.7-2.2.9) <b>Network</b> NIST SP500-267		
	<b>Video Management Software</b> AXIS Companion, AXIS Camera Station, video management software from Axis' Application Development Partners available at <a href="http://axis.com/vms">axis.com/vms</a>		
	<b>Languages (Camera)</b> English, German, French, Spanish, Italian, Russian, Simplified Chinese, Japanese, Korean, Portuguese, Traditional Chinese, Polish		

# Accessories for the F200



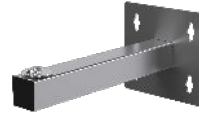
**F2XX-GM**  
General Mount  
(Supplied with camera)



**F2XX-TO**  
Front Glass Protective Film  
(Supplied with camera)



**SF-RSK**  
Reliable Securing Kit  
(Supplied with camera)




**F2XX-WM**  
Fixed Wall Mount



**F2XX-PM**  
Fixed Pole Mount

# Approvals & Dimensions



**SPECTRUM**  
CAMERA SOLUTIONS


SPECIALIZING IN EXPLOSION PROOF TECHNOLOGY  
8935 ALMEDA GENOA RD. HOUSTON, TEXAS 77075 USA

SERIAL: \_\_\_\_\_



**FM**  
US  
**APPROVED**

MADE IN USA



CE 2809

MODEL: F201-M1137-MKII-02-03-02-RUT241

POE INPUT: N/A;  
VAC INPUT: 100-240 VAC, 90W, 50/60 Hz;  
VDC INPUT: N/A;

TABLE 1		TABLE 2	
TEMP CODE	AMBI TEMP RANGE	T CODE	AMBI TEMP RANGE
T0101C	-40°F TO +50°C	T0	-40°F TO +50°C
T02101C	N/A	T1	-20°F TO +50°C
T03101C	N/A	T2	0°F TO +50°C
T04101C	N/A	T3	14°F TO +50°C
T05101C	N/A	T4	32°F TO +50°C

ENTRY DEVICE: US/Canada: Class I Division 1 Groups BCD [SEE TABLE 1], Type 4X, IP66

ENTRY DEVICE: Class II/III Division 1 Groups EFG [SEE TABLE 2], Type 4X, IP66

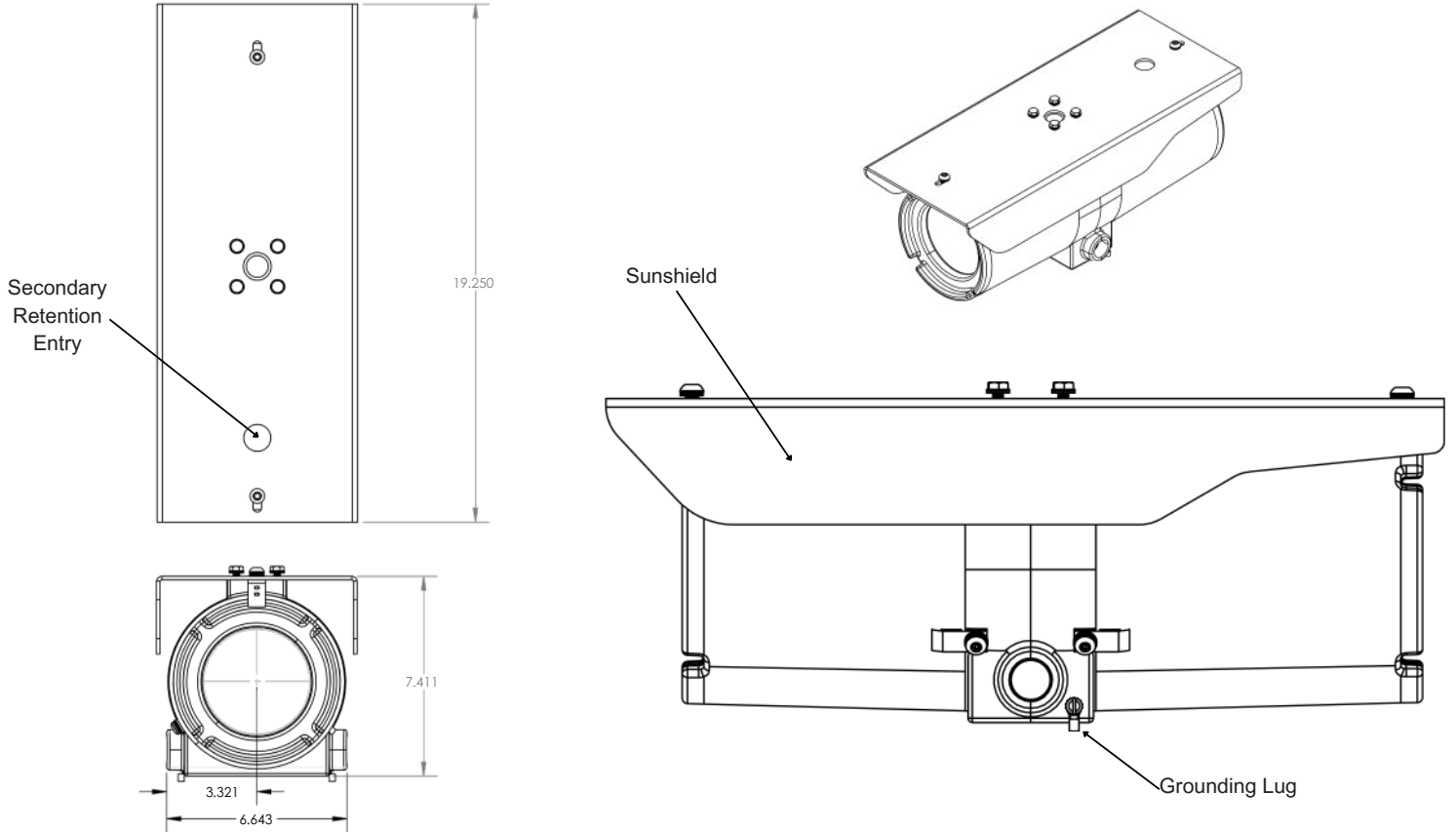
ENTRY DEVICE: Class I, Zone 1, AEx/Ex db mb [ja Ga] IIB+H2 Gb [SEE TABLE 1], Type 4X, IP66

ENTRY DEVICE: Zone 21, AEx/Ex mb tb [ja Da] IIC Db [SEE TABLE 3], Type 4X, IP66

ENTRY DEVICE: II 2 (1) G Ex db mb [ja Ga] IIB+H2 Gb [SEE TABLE 1], IP66

ENTRY DEVICE: II 2 (1) D Ex mb tb [ja Da] IIC Db [SEE TABLE 3], IP66

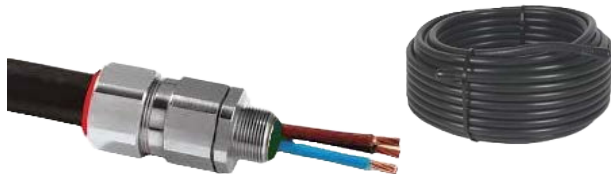
CERT NO. FM24US0209X & FM24CA0096XIECCX FMG 24.0028X, & FM24ATEX0026X  
**WARNING:** DO NOT OPEN WHEN ENERGIZED OR WHEN AN EXPLOSIVE ATMOSPHERE MAY BE PRESENT. Install seal within 18 inches.  
**AVERTISSEMENT:** NE PAS OUVRIRE LORSQU'EN ENERGIE / DANGER - SUIVRE LES INSTRUCTIONS POUR LE BATTERIE REMPLACEMENT DETAILS. SUIVRE LES INSTRUCTIONS  
**AVERTISSEMENT:** NE PAS OUVRIRE LORSQU'EN ENERGIE OU QUAND UNE ATMOSPHERE EXPLOSIVE PEUT ETRE PRESENTE. Les joints de fermeture sont obligatoires dans une distance de 18 pouces.  
**AVERTISSEMENT:** RISQUE DE CHOC ÉLECTRIQUE! POUR PLUS DE DÉTAILS SUR LE REMPLACEMENT DE LA BATTERIE, VOIR LES INSTRUCTIONS. REMARQUE: POUR LES DÉTAILS SUR LE



## Installation Cable & Gland Kits

Suitable for installation in Class I, II, III, Div 1, ABCDEFG IEC - Zone 1/21 IIC, IIIC environments.

The cable gland is supplied pre-installed onto one end of the 3-core cable.



- SCS-PWR-CBL-3C-D1-Z1-25 - (25 ft)
- SCS-PWR-CBL-3C-D1-Z1-50 - (50 ft)
- SCS-PWR-CBL-3C-D1-Z1-100 - (100 ft)
- SCS-PWR-CBL-3C-D1-Z1-200 - (200 ft)
- SCS-PWR-CBL-3C-D1-Z1-300 - (300 ft)

For additional sizes please contact us at [sales@spectrumcamera.com](mailto:sales@spectrumcamera.com)

For use with the 120 / 240 VAC  
F200 models only