

Spectrum D1-STARLINK-MINI

Starlink Mini Ex Junction Box



Features

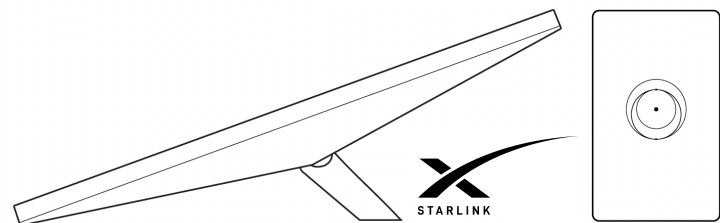
Antenna:	Electronic Phased Array
Field of View:	110°
Orientation:	Software Assisted Manual Orienting
Wind Speed:	Operational: 95 kph+ (60 mph+)
Operating Temperature:	-20°C to 50°C (-4°F to 122°F)
Input Rating:	120/240 VAC 5A 50/60Hz
Hazardous Area Rating:	Class I, Div 1, Groups B, C & D, T6 Class I, Zone 1, Group IIB+H2, T6 Class II, Div 1, Groups E, F & G, T85°C Zones 20 or 21, Group IIIC, T85°C



Wi-Fi Technology:	802.11a/b/g/n/ac
Generation:	WiFi 5
Radio:	Dual Band 3 x 3 MU-MIMO
Ethernet Ports:	One (1) Latching Ethernet LAN port with Starlink Plug
Coverage Security:	Up to 112 m ² (1,200 ft ²)
Power Indicator:	WPA2
Mesh Compatibility:	LED rear face plate, lower left corner Compatible with all Starlink mesh systems. Not compatible with 3rd party mesh system

Devices: Connect up to 128 devices

Wi-Fi Technology:	Wi-Fi 6
Radio:	Dual Band 2x2 MU-MIMO
Ethernet Ports:	One (1) latching ethernet LAN port
Coverage:	Up to 120 m ² (1300 sqft)
Operating Temperature:	-30°C to 50°C (-22°F to 122°F)
Weight:	0.12 kg (.26 lb)
Security Environmental:	WPA2
Rating:	IPX0 indoor only
Power Indicator:	LED face plate, lower left corner
Mesh Compatibility:	Compatible with all Starlink routers except Gen 1 (works with Starlink Mini, Gen 3 Router, Gen 2 Router). Not compatible with 3rd party mesh systems

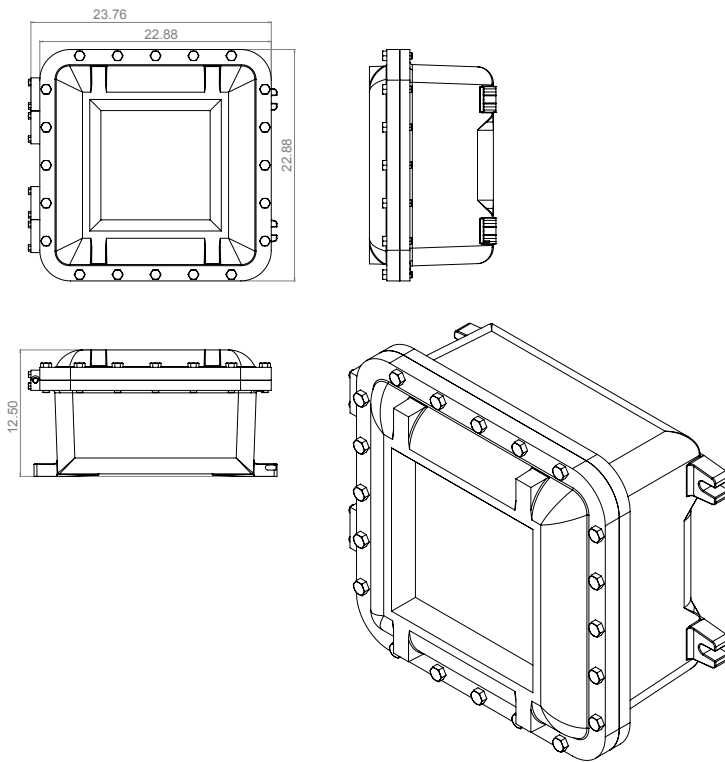


Devices: Connect up to 235 devices

Specifications

Spectrum D1-STARLINK-MINI

Technical Details



Certifications & Warranty

Explosion-proof
Certifications
Class I, Div 1, Groups B, C & D, T6
Class I, Zone 1, Group IIB+H2, T6
Class II, Div 1, Groups E, F & G, T85°C
Zones 20 or 21, Group IIIC, T85°C

Certifications

cETLus



Standards

UL 1203
CSA C22.2 #30
CSA C22.2 #25

Warranty

3-Year warranty

Approvals

 <p>Intertek 5014759</p>	 <p>SPECTRUM CAMERA SOLUTIONS SPECIALIZING IN EXPLOSION PROOF TECHNOLOGY ENCLOSED INDUSTRIAL CONTROL PANEL</p>	<p>8935 ALMEDA GENOA RD. HOUSTON, TEXAS 77075 USA CONFORMS TO UL STANDARD 1203 CERTIFIED TO CSA STANDARD C22.2#30 CERTIFIED TO CSA STANDARD C22.2#25</p>
<p>MODEL: D1-STARLINK-MINI SERIAL: XXXX-MN-DY-YEAR</p>		
<p>Input Voltage: 100-240 VAC/VDC, 5 A, 50/60 Hz Output Voltage: N/A Tamb: -20°C TO +50°C, Type 4X</p>		
<p>CAUTION- To reduce the risk of ignition of hazardous atmospheres, disconnect the equipment from the supply circuit before opening. Keep assembly tightly closed when in operation WARNING- To reduce the risk of ignition of hazardous atmospheres, conduit runs must have a sealing fitting connected within XX inches of the enclosure AVERTISSEMENTS: OUVRIRE LE CIRCUIT AVANT D'ENLEVER LE COUVERCLE, or KEEP COVER TIGHT WHILE CIRCUITS ARE ALIVE and GARDER LE COUVERCLE BIEN FERME TANT QUE LES CIRCUITS SONT SOUS TENSION AVERTISSEMENTS: UN SCHELLEMENT DOIT ETRE INSTALLEE MOINS DE XX DU BOITIER</p>		
<p>Class I, Division 1, Groups BCD T6 Class I, Zone 1, Group IIB+H2 T6 Class II, Division 1, Groups EFG T85 C Zone 20 or 21, Group IIIC T85 °C</p>		